

AXOLIFT: Offering smart and safe alternatives to ladders

Manulift 200/4

Up to 4 meters in total safety

www.axolift.com

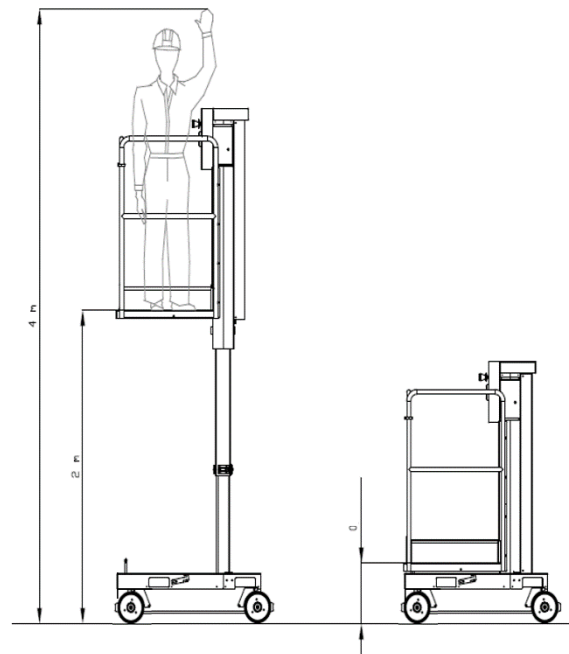
MANULIFT 200/4: MANUAL MAST LIFT 4 WHEELS CHASSIS



- Without batteries.
- No power consumption or need to be recharged
- Without CO2 emission or gas leakage
- Low cost maintenance
- Possible use 24h/24 7d/7

MANULIFT 200/4 platform is a full mechanical, versatile, robust and simple to use vertical mast platform, ideal for many applications – from construction to industries.

- Lightweight
- Completely manual
- 4 wheels chassis
- Passes easily through standard doors
- Patented lifting mechanism* without power source
- Forkliftable



SAFETY:

Emergency lowering system.
Foot brake bar on rear wheels.
Saloon-door style entry gates.
Attachment point.

MANULIFT 200/4 technical data

Dimension:

Max. Working Height:	4,00 m
Max. Platform Height:	2,00 m
Overall Width:	735 mm
Overall Length:	1265 mm
Stowed Height:	1670 mm
Work Platform:	740 x 645 mm
Ground Clearance:	62 mm

Performance:

Platform Capacity SWL:	125kg / 1 pers.
Tool Tray Capacity:	20 kg
Max. Force To Be Exerted On The Handle:	-5 daN
Allowable Cant:	0°- Internal Use
Max. Wind Speed:	0km/h- Internal Use
High resistance paint Orange RAL 2000	
Marking and conformity CE- Compliance with the standard EN 280	

Weight:

Gross Weight:	273 kg
---------------	--------



AXOLIFT BY GROMET

Via San Francesco, 10, 36020, Pove del Grappa, VI,
Italy

+39 0424 58 0783

➤ info@axolift.com
➤ www.axolift.com